

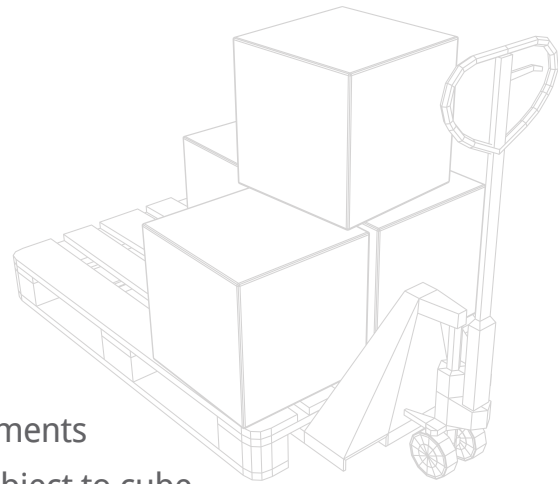


Cube Reference Guide

VersaCold
LOGISTICS SERVICES

Your food matters™

Cube Reference Guide



This document is intended as a reference guide to help understand VersaCold's cube policy. All shipments travelling through the VersaCold LTL Network are subject to cube.

CUBE CALCULATION & STANDARD FREIGHT:

Standard freight refers to food products that are traveling through the LTL network on a 48 inch by 40 inch pallet.

15 lbs./cubic foot is the minimum density factor that is applied to these shipments.

Based on the standard freight pallet dimensions and minimum density factor, this equates to a weight requirement of 200 lbs./vertical foot.

HOW TO CALCULATE CUBE:

Step 1. Measure the height, width, and depth of the shipment in inches. Measure to the farthest points, including skids or other packaging. On shipments with multiple pallet positions, repeat Step 1 for each pallet.

Step 2. Multiply the three measurements (height x width x depth). The result is the total cubic inches of the shipment. If you have multiple pieces, multiply the height x width x depth for each piece. Take the results for each piece and add them together to get the total cubic inches.

Step 3. Divide the total cubic inches by 1,728 (the number of cubic inches in a cubic foot). The result is the cubic feet of the shipment.

Step 4. Divide the weight (in pounds) of the shipment by the total cubic feet. The result is the pounds per cubic foot, i.e., density.

- For multiple pallets, add the weight of each pallet together before dividing by the total cubic feet of the shipment.
- Round fractions to the nearest full cubic foot number.

For example, if the skid weighs 500 pounds with dimensions of 40 inches x 48 inches x 48 inches:

1. Multiply 40" x 48" x 48" = 92,160 cubic inches
2. Divide 92,160 by 1,728 = 53.33 cubic feet (converts to feet)
3. Divide 500 pounds by 53.33 cubic feet = 9.4 pounds per cubic feet (PCF), i.e., the shipment density.
4. Cube at 15 lbs. per cubic foot. Multiply 53.33 cubic feet by 15 = 800 lbs.

- Rates are based on freight density being 15 lbs./cubic foot. If the product a customer ships is consistently of a different density the pricing team can accommodate a custom solution to those scenarios.
- When a customer's shipment does not meet the minimum density requirements the cube calculation noted above applies to billable weight.
- Customers pay for the greater of weight or space in an LTL environment.



STACKABLE FREIGHT:

As an LTL carrier VersaCold will make every attempt to optimize trailer loading to allow for safe food transportation. VersaCold allows for 6 inches of space across the top of each trailer for adequate air flow. Maximum loadable height in a trailer is 7'6". In situations where freight is not safely stackable or non-stackable due to consignee or commodity requirements cube rules will apply.



Cube applies to the tallest point on a pallet

ADDITIONAL NOTES:

- Cubing rules will be applied based on ½ foot increments.
- There are HACCP limitation in certain cases that prevent VersaCold from stacking freight.

QUESTIONS?

Customer Service | 1-833-378-2653 | transportation@versacold.com